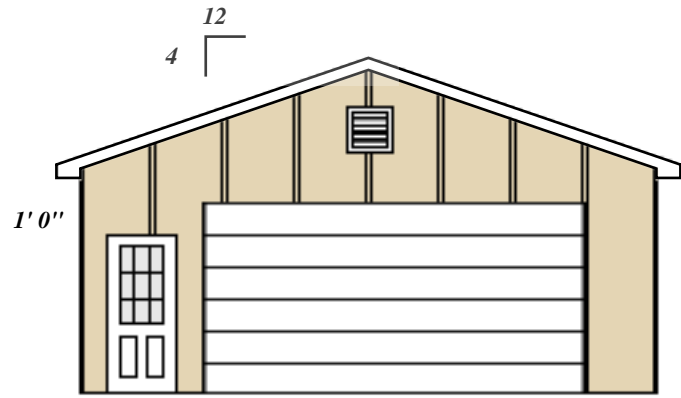


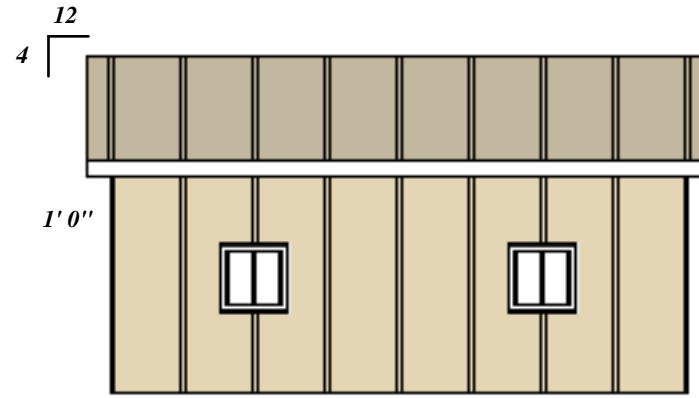


\$6,200 up to 25# ground snow load
\$6,350 up to 40# ground snow load
\$6,500 up to 55# ground snow load
\$7,200 up to 85# ground snow load

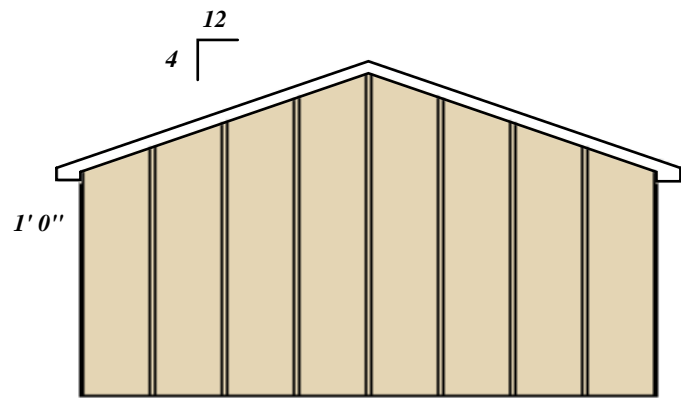
CALL FOR DELIVERY TIMETABLE & COST
 (210) 650-2276



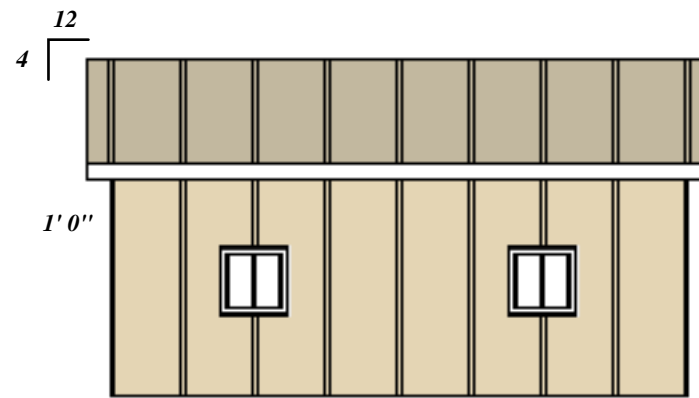
GABLE 1



EAVE 1



GABLE 2



EAVE 2

**DOUBLE DUECE
 TWO CAR GARAGE**

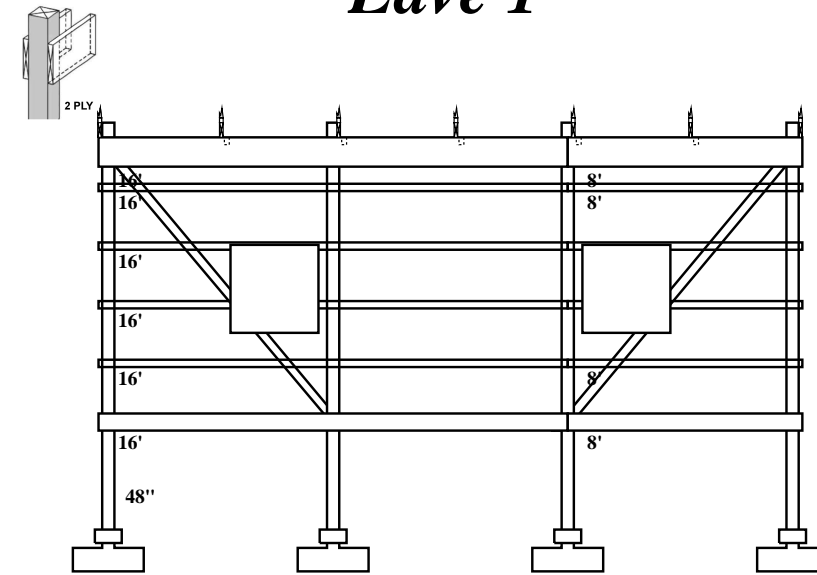
24' x 24' x 10' 4" Pole Barn Garage

- (1) 16' x 8' Un-Insulated White Overhead Door
- (1) 3068 9 Lite Steel Entry Door with Wood Jamb
- (4) 3 x 3 White Vinyl Sliding Windows

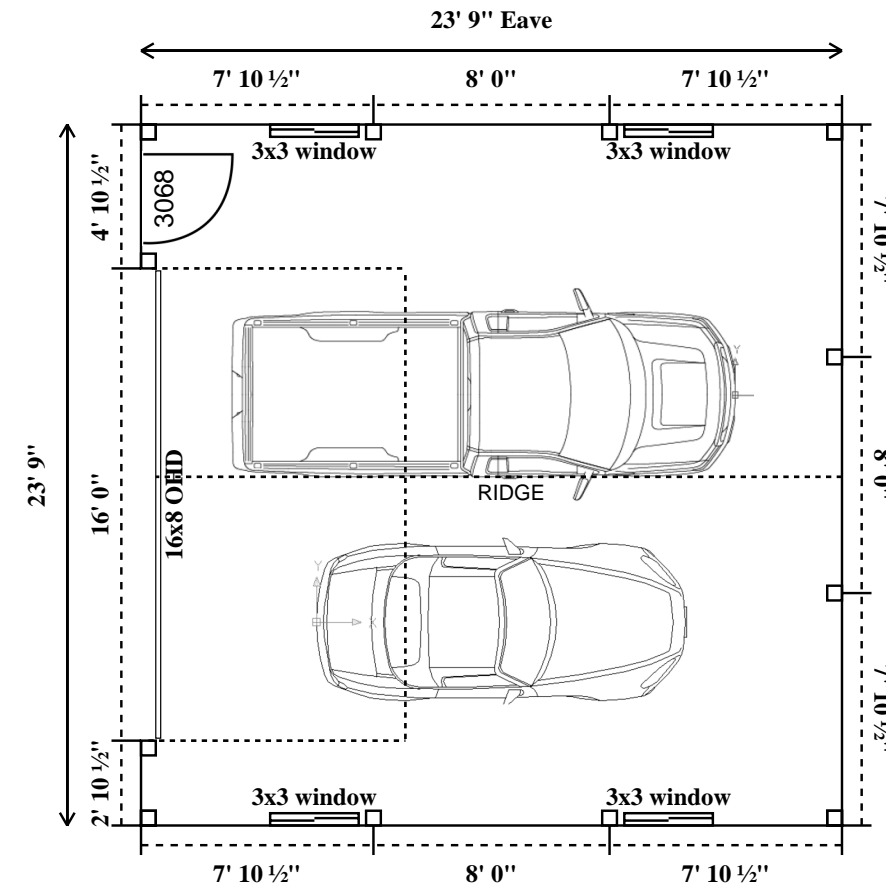
FEATURES

- 29 ga siding in 20 colors
- 29 ga roofing in 20 colors
- Fully trimmed in any color
- Double bubble roof condensation barrier

Eave 1



SAMPLE WALL SECTION



POST PLAN

#1 Southern Yellow Pine
 4x6 Treated Posts
 (Add \$400 for Laminated Post Upgrade)
 1 row 2x8 Treated Skirt Board
 Door headers
 Truss Supports

#2 Spruce Lumber
 2x4 Girts 24" oc
 2x4 Purlins 24" oc
 Wall corner braces
 Lateral, sway, wind bracing

40 yr Paint fade and chalk warranty paint system
 #1 USA MFG Coils
 Individually wrapped and bundled
 CHI Overhead doors
 Therma-Tru Doors

APB Pole Barns

13423 Blanco Road San Antonio Texas 78216

Phone (210) 650-2276 Fax (425) 955-9515

Copyright © 2016 All Rights Reserved

[CUSTOM GARAGE KITS](#)