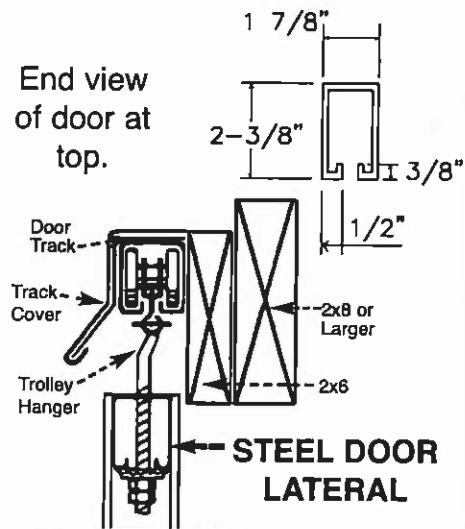


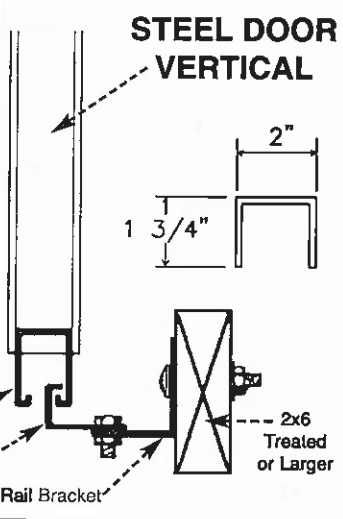
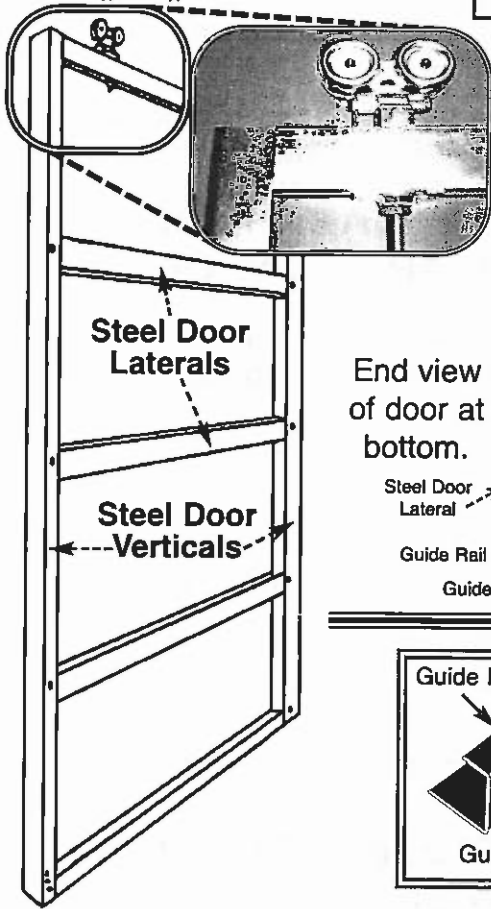
STEEL DOOR LATERALS



Door Height	Laterals Required	Spacing of laterals
7'	4	27"
8'	4	32"
9'	4	36"
10'	5	30"
11'	5	32"
12'	5	36"
13'	6	30"
14'	6	34"
15'	6	36"
16'	7	32"

SIZE	SKU#	SIZE	SKU#
4'	155-4513	12'	155-4678
5'	155-4539	13'	155-4694
6'	155-4555	13' 6"	155-4704
7'	155-4571	14'	155-4717
8'	155-4597	15'	155-4733
9'	155-4610	16'	155-4759
10'	155-4636	18'	155-4775
11'	155-4652	20'	155-4791

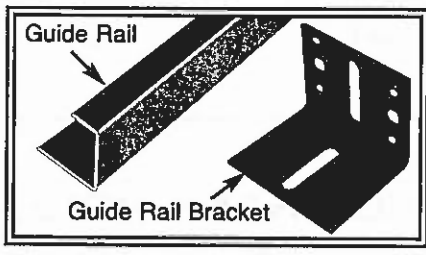
STEEL DOOR VERTICALS



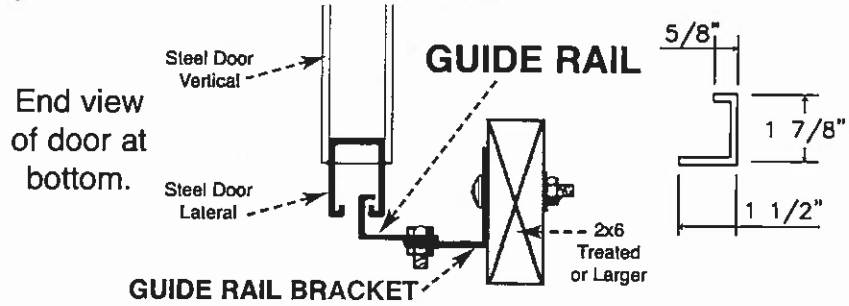
- Fast, simple strong assembly
- Tabloc design
- Galvanized for long life

SIZE	SKU#	SIZE	SKU#
7'	155-4843	12'	155-4898
8'	155-4856	13'	155-4908
9'	155-4869	14'	155-4911
10'	155-4872	15'	155-4924
11'	155-4885	16'	155-4937

GUIDE RAIL & BRACKET



- Guide Rail Brackets included with every guide rail.

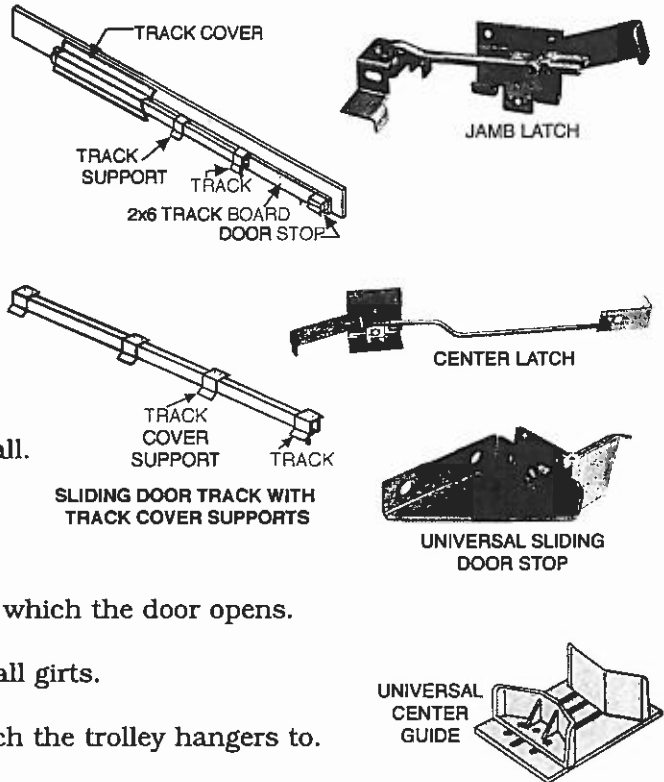


SIZE	Door Widths	No. of Brackets Included	SKU#
3'	Up to 6'	2	155-4995
6'	Up to 12'	3	155-5020
8'	Up to 16'	3	155-5046
10'	Up to 20'	4	155-5062

15. Sliding Door Framing

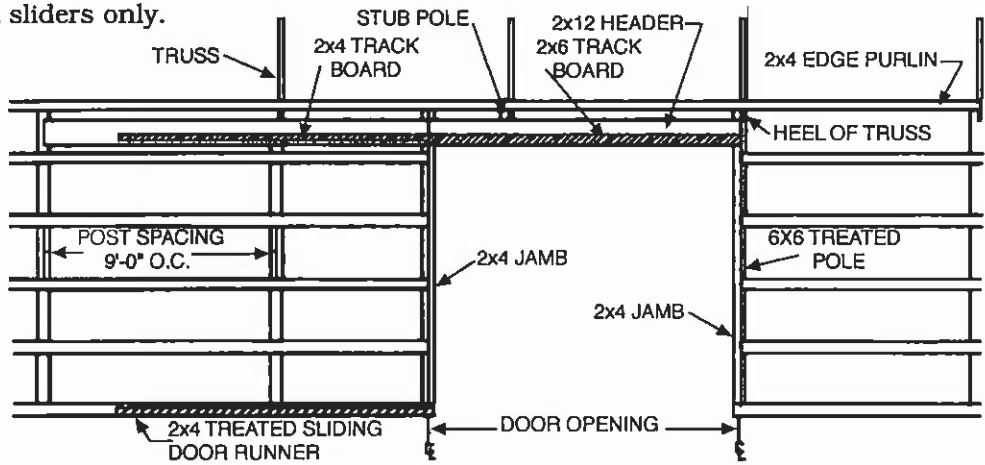
A. Kwik Frame

1. 2x4 Door Jambs
-Outside face of the pole.
2. Door Headers
-2x12 on sidewalls in door opening.
3. Track Board Support
-2x12 on sidewall outside of the door opening.
4. 2x6 Sliding Door Center Track Board
 - a. Same length as the door opening.
 - b. Top of 2x6 mounted 5-1/2" above door height.
5. 2x4 Sliding Door Track Board
 - a. Sidewalls extends to the width of the door.
 - b. Endwalls extends the entire width of the endwall.
 - c. Top of 2x4 mounted 5-1/2" above door height.
6. 2x6 Treated Door Runner
-Bottom grade board of the door.
7. 2x4 Treated Sliding Door Runner
-Mounted at the bottom of the wall on the side to which the door opens.
8. 2x4 Sliding Door Girts
-Door girts having the same spacing as the sidewall girts.
9. 2x6 Sliding Door Top Girt
-Placed at the top of the sliding door used to attach the trolley hangers to.



10. Kwik Frame Hardware

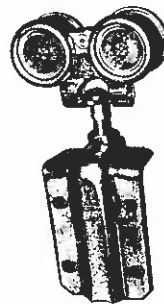
- a. Sliding Door Track
-See Chart Page 13.
- b. Sliding Door Track Cover
 1. Sidewalls, twice the door width.
 2. Endwalls, width of the building.
- c. Track Cover Support Brackets
-One bracket for every 4' of unsupported cover.
- d. Trolley Hangers
 1. One pair of trolleys per door.
 2. Inset equals 1/4 the door width.
- e. Jamb Latch
-One for each side of the door.
- f. Center Latch
-For split sliders only.
- g. Door Jamb Trim
 1. Same length as door height.
 2. One on each door post.
- h. Kwik Frame Verticals
 1. 2 for a single slider.
 2. 3 for a split slider.
- i. Double Couple
-For split sliders only.
- j. Stay Roller
-One per door.
- k. Universal Sliding Door Stop
-One per door.
- l. Universal Center Guide
-For split doors only.



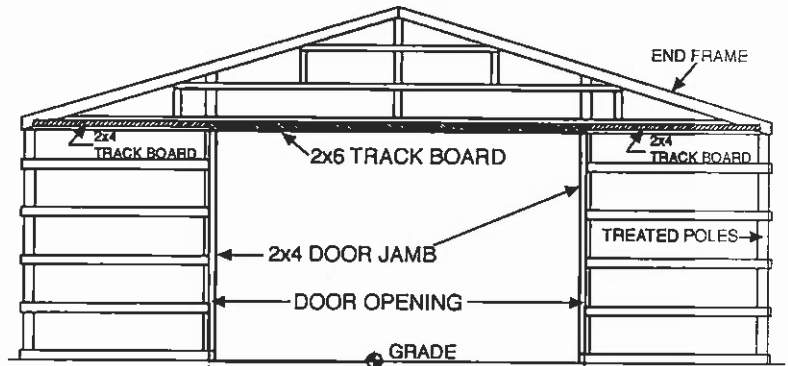
SIDEWALL SLIDING DOOR FRAMING DETAIL

B. Tab-Loc Door

1. 2x4 Door Jambs
-Outside face of the pole.
2. Door Headers
-2x12 on sidewalls in door opening.
3. Track Board Supports
-2x12 on sidewall outside of the door opening.
4. 2x6 Sliding Door Center Track Board
 - a. Same length as the door opening.
 - b. Top of 2x6 mounted 5-1/2" above door height.
5. 2x4 Sliding Door Track Board
 - a. Sidewalls extends to the width of the door.
 - b. Endwalls extends the entire width of the endwall.
 - c. Top of 2x4 mounted 5-1/2" above door height.
6. **Tab-Loc** Door Hardware
 - a. Sliding Door Track
-See Chart Below.
 - b. Sliding Door Track Cover
 1. Sidewalls, twice the door width.
 2. Endwalls, width of the building.
 - c. Track Cover Support Brackets
-One bracket for every 4' of unsupported cover.
 - d. Trolley Hangers
 1. One pair of trolleys per door.
 2. Inset equals 1/4 the door width.
 - e. Jamb Latch
-One for each side of the door.
 - f. Center Latch
-For split sliders only.



- g. Door Jamb Trim
 1. Same length as door height.
 2. One on each door post.
- h. Steel Door Verticals
 1. 2 for a single slider.
 2. 4 for a split slider.
- i. Steel Door Laterals
-See chart in MM Book.
- j. Guide Rail w/Brackets
-See chart in MM Book.
- k. Single Door Stop
-One per door.
- l. Jamb Mount Door Stop
-One per door single slider (2 on split slider).
- m. Heavy Duty Door Handle
-One per door.
- n. Vertical Door Trim
 1. 2 for a single slider.
 2. 3 for a split slider.
- o. Astragal Door Trim
-For split sliders only.



ENDWALL SLIDING DOOR FRAMING DETAIL

Door Width	Track Size	Trolley Backset
4'	6'	1'-0"
5'	8'	1'-3"
6'	10'	1'-6"
7'	12'	1'-9"
8'	12'	2'-0"
9'	14'	2'-3"
10'	16'	2'-6"
11'	8' + 10'	2'-9"
12'	8' + 10'	3'-0"
13'	10' + 10'	3'-3"
14'	10' + 12'	3'-6"
15'	12' + 12'	3'-9"
16'	12' + 12'	4'-0"
17'	12' + 14'	4'-3"
18'	14' + 14'	4'-6"
19'	14' + 16'	4'-9"
20'	16' + 16'	5'-0"

